



HIGH VOLTAGE
POWER SOLUTIONS, INC.

HE900
480VAC
1Ø, 3W

SECONDARY
SURGE
"LIGHTNING"
ARRESTER

FEATURES

- Industrial/Commercial Version
- MOV Circuit Design
- Made in America utilizing American Components
- Cost Effective
- Reliable Solid-State Protection
- Maintenance Free
- Molded Plastic Case
- Threaded 1/2" NPT conduit nipple with locknut
- 18 " Stranded 12 AWG color coded leads
- Suitable for indoor or outdoor installation
- Automatic Recovery, Self Restoring

DESCRIPTION

The HE900 is a MOV (Metal Oxide Varistor) based hardwired Secondary Surge Arrester, often referred to as a Lightning Arrester. The device is designed to protect electrical equipment from damaging effects of Spikes (+) and Notches (-) caused by lightning, utility switching, insulation arcing, electrical motor cycling, and other large or sudden changes in electrical power flow on incoming AC power lines.

The HE900 is a three phase, three wire arrester intended to protect 480 VAC systems. The epoxy encapsulated arrester is designed to be easily installed in any position indoors or outdoors utilizing the integral 1/2" threaded nipple and supplied metal lock nut.

The housing is molded from flame retardant plastic that is both weather and UV resistant, and complies with the UL standard for strength and flame resistance properties. The arrester is sealed with UL component recognized epoxy potting compound. The HE900 has three 18" long, 12 AWG multi-stranded leads that are color coded for ease of installation.

The HVPSI HE900 is ideal protection for outdoor lighting and pole lamps, panelboards, oilfield pumps, workshops, irrigation and sump pumps, refrigeration systems, farm equipment including milking machines and poultry processing equipment, electric motors and controls, heat pumps and air conditioning equipment and many other electrical devices.

The HE900 utilizes a single MOV per pole to reduce the potential load balancing/sharing problems during operation.

UL listed versions:

HE500	120/240V, Single Phase, Three Wire, Industrial/Commercial Version.
HE510	120/240V, Single Phase, Three Wire, Residential Version.
HE1203	120/208V, Three Phase, Four Wire, Industrial/Commercial Version.
HE4803	277/480V, Three Phase, Four Wire, Industrial/Commercial Version.

Rev 3 August 2007



HIGH VOLTAGE
POWER SOLUTIONS, INC.

PO Box 700968 • Dallas TX 75370
Ph (972) 248-7691 • Fax (972) 381-9998

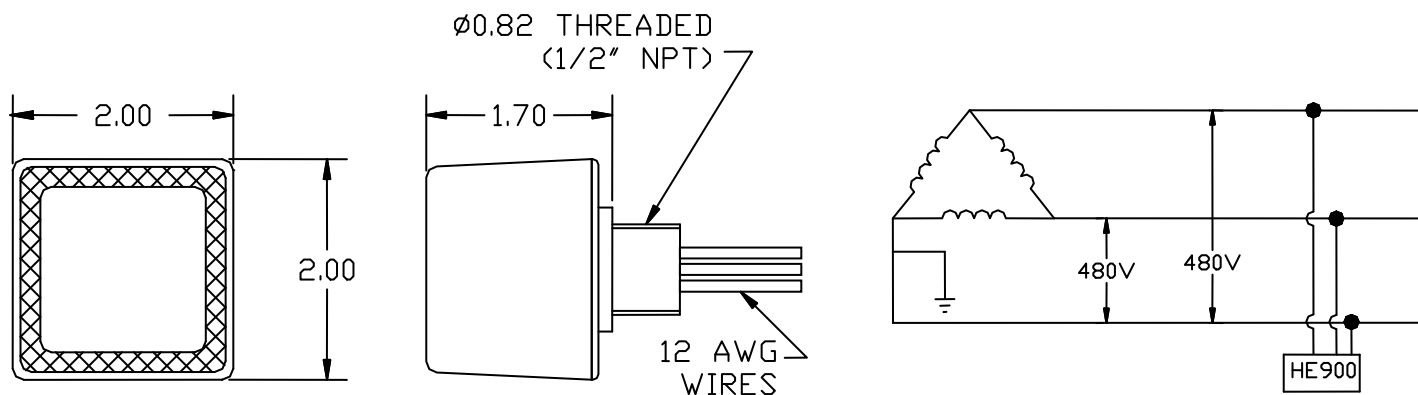
ELECTRICAL CHARACTERISTICS

HE900

PART NUMBER	SERVICE VOLTAGE AC	PHASE	WIRE CONFIGURATION	TYPICAL CLAMP VOLTAGE 8 X 20uS Current Wave (Line to Ground)				
				1.5kA	5kA	10kA	20kA	25kA
HE900	480V 550V Max (rms)	THREE	Line 1 (Black) Line 2 (Black) Neutral/Ground (White)	1450V ⁽¹⁾ 1550V ⁽²⁾	1650V ⁽¹⁾ 2000V ⁽²⁾	1850V ⁽¹⁾ 2450V ⁽²⁾	2200V ⁽¹⁾ 3400V ⁽²⁾	2400V ⁽¹⁾ 3950V ⁽²⁾

(1) 1" leads (2) 18" leads

DIMENSIONS AND WIRING DIAGRAMS



ARCHITECT and ENGINEERS SUGGESTED SPECIFICATIONS

The three phase, three wire Secondary Surge Arrester for 480 volt AC service or machine equipment shall be a High Voltage Power Systems Model HE900. The lightning arrester shall be of a single MOV per pole design and provide protection for Category C Transient Surges as defined in ANSI C62.41 (Formerly IEEE Std. 587-1980) without degradation of the components. The surge protector shall protect between each line and neutral/ground conductor. The enclosure shall be molded of fire retardant plastic. The unit will be sealed with a UL component recognized epoxy potting compound to minimize moisture and pollution intrusion. A one-half inch conduit nipple and metal lock nut shall be provided. 18 inch, stranded 12 gauge color coded leads shall be provided. The arrester shall carry a one year warrantee.

HIGH VOLTAGE POWER SYSTEMS, INC. reserves the right to make changes in these specifications at any time and without notice in order to supply the best product possible.

© 2002 • HIGH VOLTAGE POWER SYSTEMS, INC. • Printed in U.S.A.

SPECIFICATIONS and STANDARDS

TECHNOLOGY: Metal Oxide Varistors (MOV) each line to neutral/ground.
PEAK SURGE CURRENT: (8x20uS) 25,000 Amps
M C O V: 550 VAC rms (Line to Neutral).
ENCLOSURE: Black molded flame retardant plastic housing with 1/2" x 20 threaded nipple. The housing is weatherproof and UV resistant.
ENCAPSULATION: UL component recognized epoxy potting material.
WIRING: Three 12 gauge stranded color coded leads. Black for each line White for neutral/ground
OPERATION TEMPERATURE: -40°C to +85°C
RESPONSE TIME: <5ns
CURRENT DRAIN: <100uA
UNIT WEIGHT: 7.5 ounces
SHIPPING WEIGHT: per arrester 8.5 ounces
per carton (12) 6.75 lbs.
per case (48) 28.5 lbs
ANSI : C62.11-1987



HIGH VOLTAGE
POWER SOLUTIONS, INC.

PO Box 700968 • Dallas TX 75370
Ph (972) 248-7691 • Fax (972) 381-9998